

# 695XL

## Deepest, Most Versatile Gas Powered Saw

The new 695XL features include an easy to start engine with higher energy ignition system and durable, long-lasting components including a new muffler, carburetor and piston & cylinder. Available with 12-inch (30 cm) - 16-inch (40cm) guidebars and the entire line of MAX, ProForce and PowerGrit series diamond chains. Based on the best-selling 695 saw platform, the 695XL is the highest horsepower ICS gas saw for frequent-use by general construction, utility contractors and concrete professionals.

Engine Type	2-stroke, Air Cooled
Displacement	94 cc (5.7 cu-in)
Horsepower	4.8 kW (6.4 hp) @ 9000 rpm
Torque	5.7 Nm (50.4 in-lbs) @ 7,200 rpm
Engine Speed	9,300 +/- 150 rpm (max) 2,700 +/- 100 rpm (idle)
Chain Speed at Maximum Power	28 m/s (5500 ft/min)
Weight	9.5 kg (21 lbs) powerhead only
Dimensions	46 cm (18 in) length 36 cm (14 in) height 30 cm (12 in) width
Starter	Recoil, dust and water resistant
Ignition	Special water resistant electronic ignition
Fuel ratio	2% (50:1) gasoline-to-oil
Fuel Capacity	1 liter (0.26 gallon)
Water Supply Requirement	Minimum 1.5 bar (20 psi)
Water Flow Requirement	Minimum: 4lpm (1 gpm)
Guaranteed Sound Power Level, $L_{wa}$ (1)	115 dB(A); ( $K_{wb} = 1.0$ dB(A))
Equivalent Sound Pressure at the Operator's Ear $L_{pa}$	104.6 dB(A) ( $K = 1.0$ dB(A))
Vibration, $a_{iv,eq}$ Concrete Cutting (2)	3.6 m/s <sup>2</sup> ( $K = 1.0$ m/s <sup>2</sup> ) Front Handle 3.1 m/s <sup>2</sup> ( $K = 1.0$ m/s <sup>2</sup> ) Rear Handle
Vibration, $a_{iv,eq}$ Pipe Cutting (2)	5.62 m/s <sup>2</sup> ( $K = 0.2$ m/s <sup>2</sup> ) Front Handle 5.28 m/s <sup>2</sup> ( $K = 0.2$ m/s <sup>2</sup> ) Rear Handle

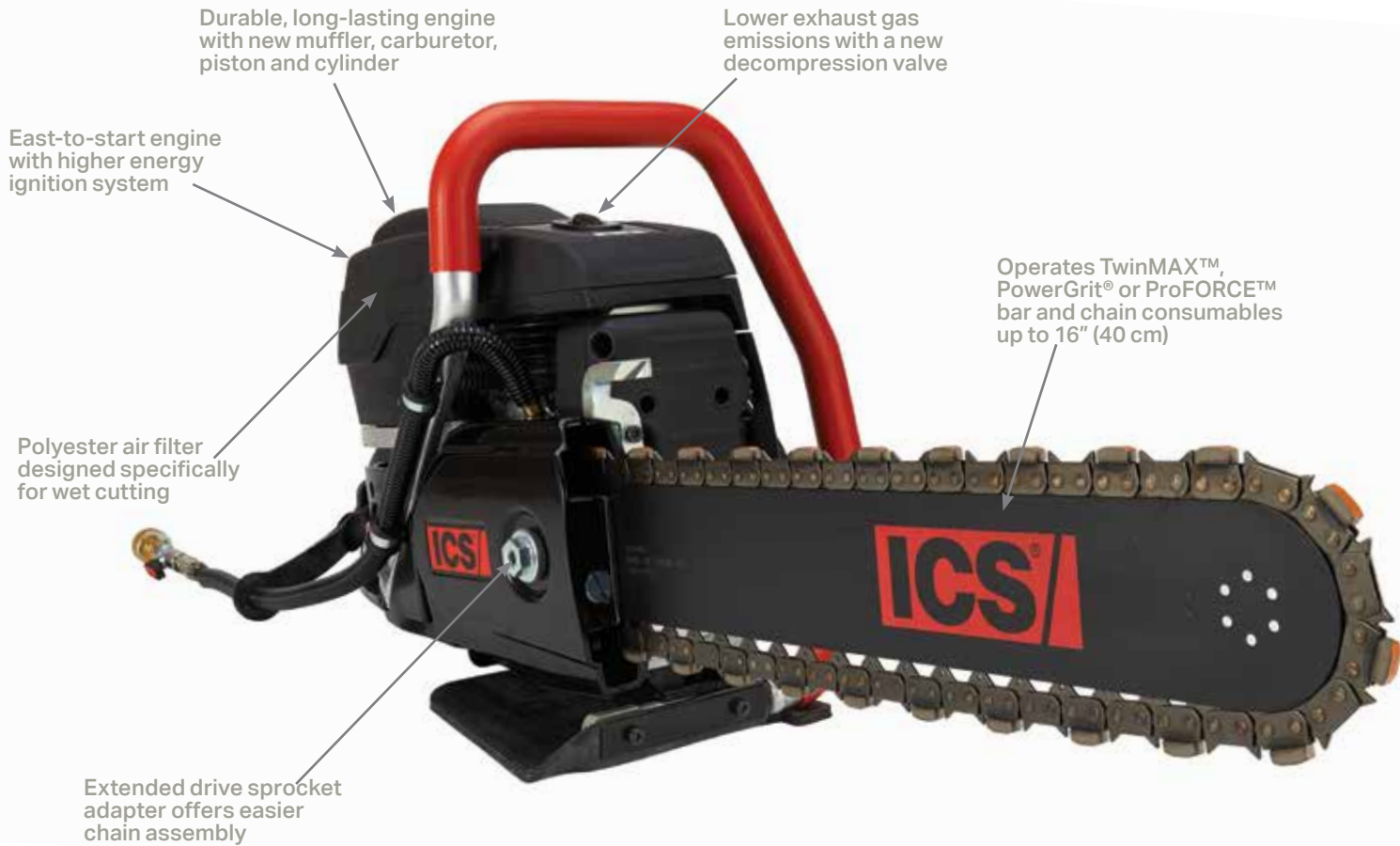


(1) Measured in accordance with ANSI S12.51-2012/ISO3741:2010  
(2) Measured in accordance with ISO5349-1:2001, ISO22867:2011 and ISO19432:2012

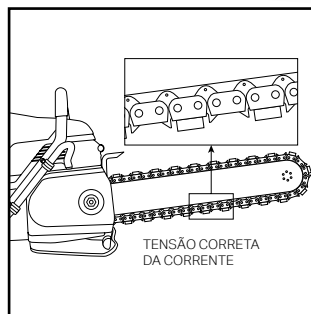
ICS, BLOUNT INC. HEADQUARTERS | 4909 SE International Way Portland, OR 97222-4679 | PHONE 800.321.1240 · FAX 503.653.4393

© Copyright 2014-2015 ICS, Blount Inc. Privacy statement specifications subject to change without notice.

Pricing and specifications subject to change without notice. All rights reserved. ICS, WallWalker, SpeedHook, SealPRO, FORCE4 and PowerGrit are registered trademarks of ICS. The best way to cut concrete, DCT, TSS, ProFORCE and TwinMAX are trademarks of ICS 0815



Deep cutting solution for obstructed or small openings



Easy tensioning of chain



Safer to cut ductile iron



Versatile

ICS, BLOUNT INC. HEADQUARTERS | 4909 SE International Way Portland, OR 97222-4679 | PHONE 800.321.1240 · FAX 503.653.4393

© Copyright 2014-2015 ICS, Blount Inc. Privacy statement specifications subject to change without notice.

Pricing and specifications subject to change without notice. All rights reserved. ICS, WallWalker, SpeedHook, SealPRO, FORCE4 and PowerGrit are registered trademarks of ICS. The best way to cut concrete, DCT, TSS, ProFORCE and TwinMAX are trademarks of ICS 0815