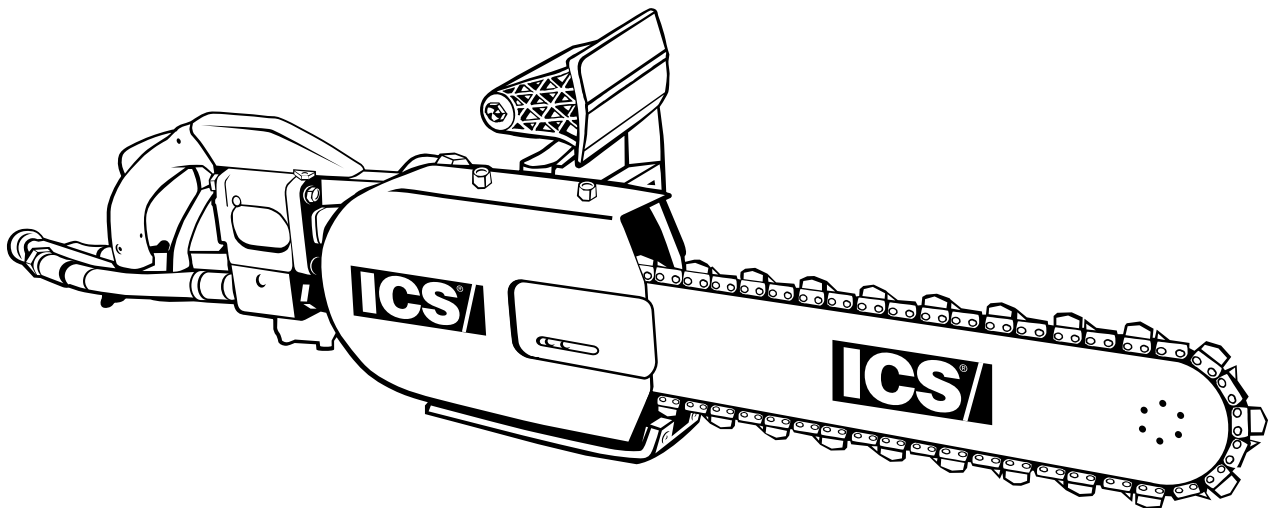




Replacement Parts & Accessories Price List



880F4 Series Hydraulic Concrete Saw (880F4 & 880F4-FL Flush Cut Saw Models)

Effective January 1, 2011

TABLE OF CONTENTS

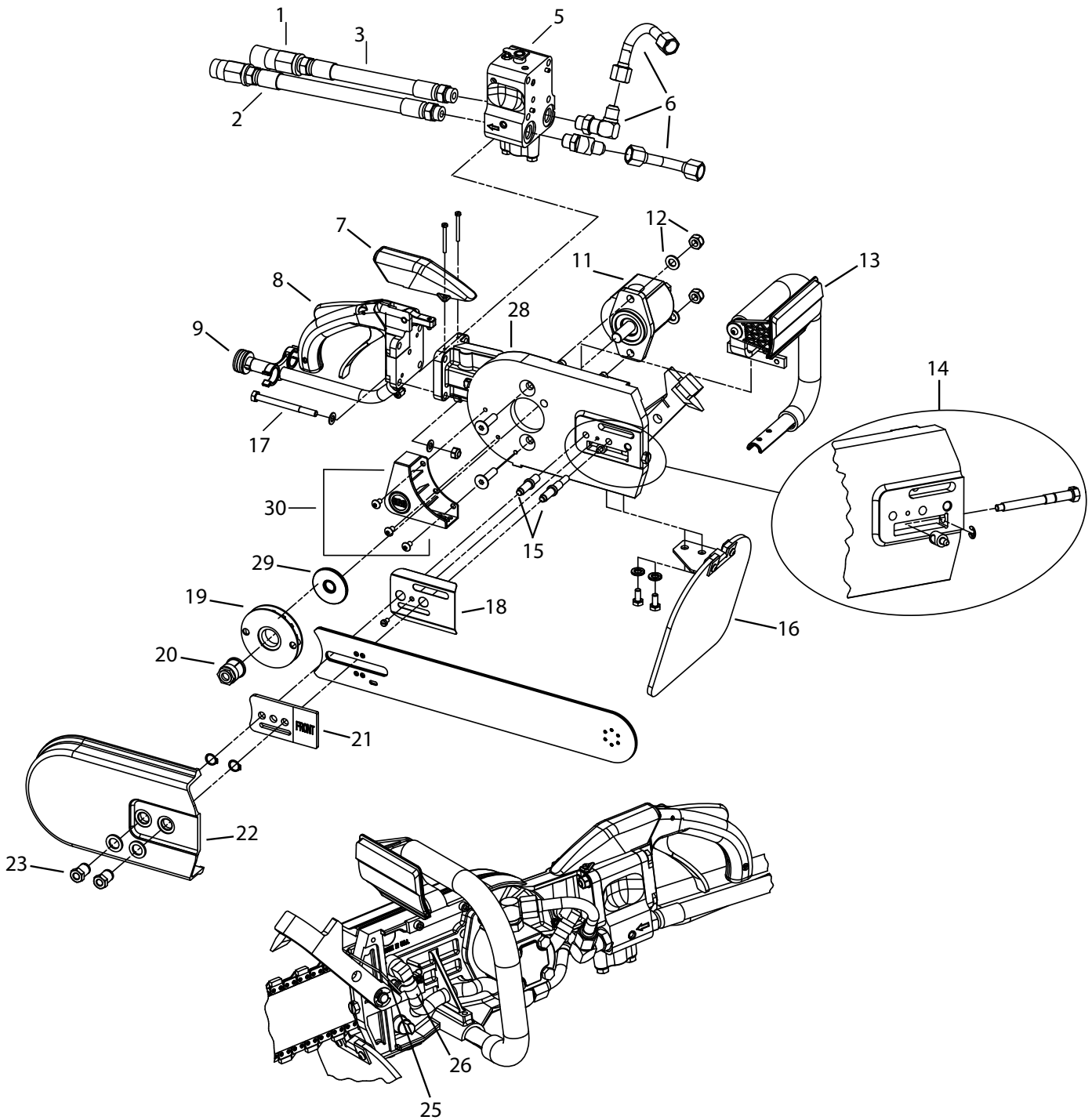
880F4 Series Hydraulic Concrete Saw

ITEM DESCRIPTION	KEY	PAGE
880F4 Hydraulic Saw Service Parts & Kits	n/a	iii
880F4 Hydraulic Saw Assembly	A	1-2
880F4-FL Flush Cut Hydraulic Saw Assembly	B	3-4

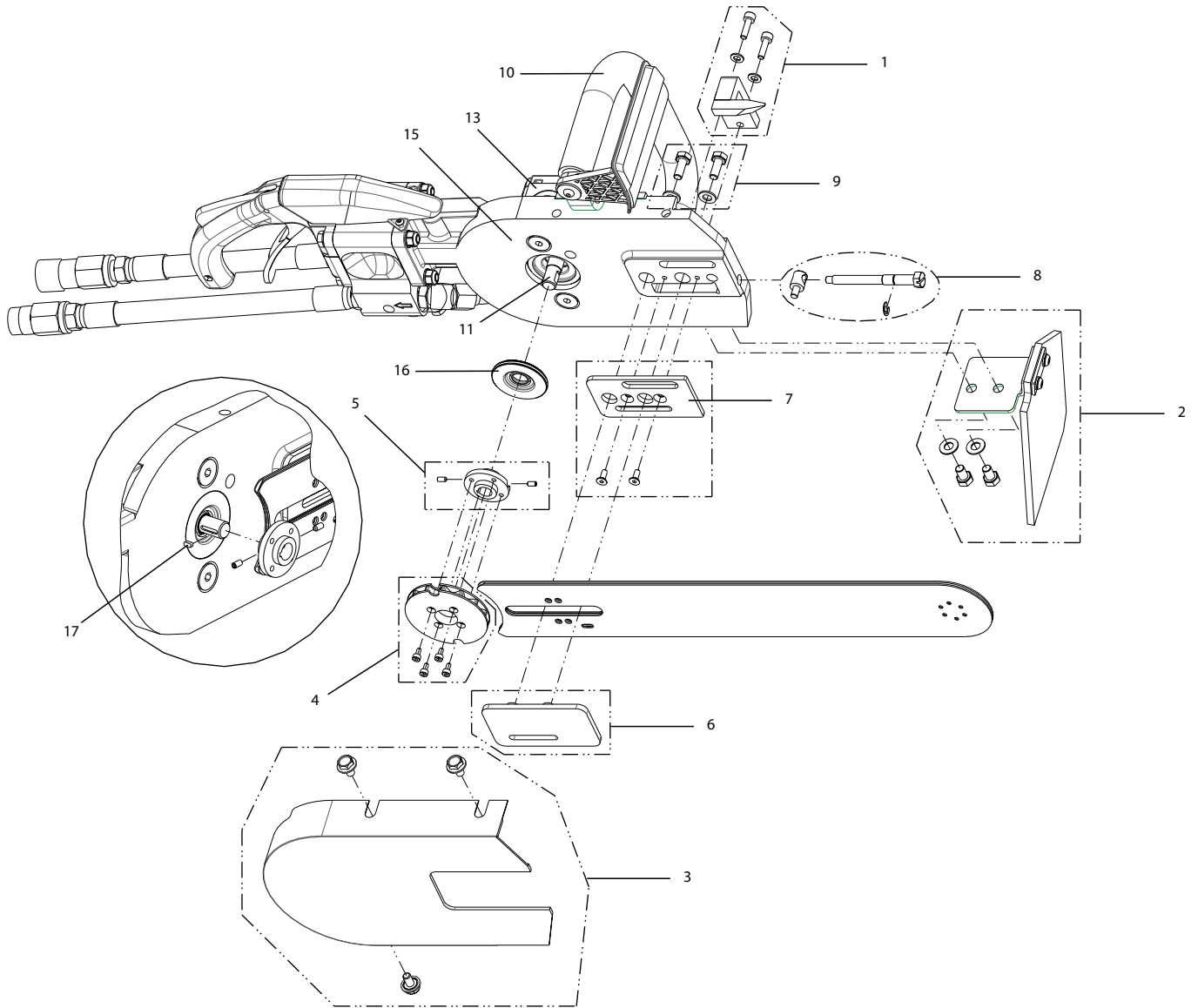
SERVICE PARTS & KITS

880F4 Series Hydraulic Concrete Saw

Part No.	Description	MSRP
70619	Tensioning Scrench, Hydraulic Saws	\$12.00
71526	880F4, 853PRO Hydraulic Valve Spool Kit	\$78.00
72296	880F4, 853PRO, 823H Hydraulic Valve Seal Kit	\$25.00
72347	880F4, 853PRO, 823H Hydraulic Trigger Lock-Out Spring & Pin Kit	\$21.00
506026	Hydraulic Trigger & Lock-Out Kit, 880F4, 853PRO Series	\$37.00
507407	Hydraulic Front Handle Fastener Kit, 880F4, 853PRO Series	\$28.00
518869	Hydraulic Water Valve Kit, includes clip, plunger, spring, ball & water bridge spindle	\$94.00
532735	880F4 Conversion Kit 8 gpm (30 lpm)	\$788.00
532736	880F4 Conversion Kit 12 gpm (45 lpm)	\$788.00
528594	Motor Seal Kit	\$110.00
528592	Shaft Kit w/ Motor Seals (8 gpm)	\$205.00
528590	Shaft Kit w/ Motor Seals (12 gpm)	\$205.00
540291	Side Cover Gasket	\$14.00
540290	Hydraulic End Cap Set	\$14.00



Key #	Part No.	Description	MSRP
1	71916	880F4, 853PRO QD, Female, with O-Ring, Kit	\$73.00
2	71917	QD Male with O-Ring	\$43.00
3	70629	880F4, 853PRO Hydraulic Pigtail Kit	\$237.00
5	528553	880F4 Hydraulic Valve Replacement	\$510.00
6	532400	880F4 Hydraulic Plumbing Replacement Kit	\$80.00
7	528554	880F4 Trigger Cover Kit, Black	\$48.00
8	528556	880F4 Rear-Handle Replacement Kit	\$205.00
9	72345	880F4, 853PRO, 823H Water Hose Kit	\$52.00
11	528557	880F4 8 gpm (30 lpm) Hydraulic Motor Replacement Kit	\$521.00
11	528558	880F4 12 gpm (45 lpm) Hydraulic Motor Replacement Kit	\$521.00
12	72342	880F4, 853PRO, 823H Hydraulic Motor Bolt Kit	\$20.00
13	71153	880F4, 853PRO, 823H 8 gpm (30 lpm) Front Handle Assembly	\$143.00
13	71536	880F4, 853PRO, 823H 12 gpm (45 lpm) Front Handle Assembly	\$143.00
14	70636	880F4, 853PRO, 823H Tensioner Kit	\$52.00
15	72349	880F4, 853PRO, 823H Series Bar Mounting Studs	\$55.00
16	72408	880F4, 853PRO Series Guard Flap Assembly	\$55.00
17	72344	880F4, 853PRO, 823H Series Valve Bolt Kit	\$22.00
18	70627	880F4, 853PRO Bar Mount Cover Plate	\$21.00
19	525495	880F4 Sprocket	\$205.00
20	528561	880F4 Trantorque® Shaft Adaptor 5/8 in (16mm)	\$85.00
21	70628	880F4, 853PRO Bar Retaining Plate	\$32.00
22	528564	880F4 Side Cover Replacement Kit	\$174.00
23	70639	880F4, 853PRO Cover Retaining Nuts (set of 2)	\$48.00
24	70641	880F4, 853PRO WallWalker Replacement Kit	\$205.00
25	70640	880F4, 853PRO WallWalker Spring	\$19.00
26	72346	Front Water Hose Kit	\$22.00
28	528562	880F4 Main Frame	\$311.00
29	528563	880F4 External Shaft Seal Kit	\$52.00
30	512592	Baffle Drain Replacement Kit	\$58.00



Key #	Part No.	Description	MSRP
1	524673	880F4-FL, 853PRO-FL WallWalker Spike Kit	\$209.00
2	524652	880F4-FL, 853PRO-FL Guard Flap Assembly Kit	\$53.00
3	532515	880F4-FL Side Cover Kit	\$285.00
4	529309	880F4-FL, 853PRO-FL FORCE4 Drive Sprocket Kit	\$205.00
5	524656	880F4-FL, 853PRO-FL Drive Sprocket Hub Kit	\$121.00
6	524657	880F4-FL, 853PRO-FL Bar Clamp Plate Kit, includes Key #9	\$44.00
7	523945	880F4-FL, 853PRO-FL Spacer Plate Kit	\$277.00
8	523946	880F4-FL, 853PRO-FL Tensioner Kit	\$48.00
9	524658	880F4-FL, 853PRO-FL Bar Clamp Bolt Kit	\$14.00
10	523947	880F4-FL, 853PRO-FL Front Handle Kit	\$245.00
11	517590	880F4-FL, 853PRO-FL Shaft Kit 8 gpm (30 lpm), includes internal shaft seals	\$215.00
11	517591	880F4-FL, 853PRO-FL Shaft Kit 12 gpm (45 lpm), includes internal shaft seals	\$205.00
13	524651	880F4-FL, 853PRO-FL Replacement Motor Kit 8 gpm (30 lpm)	\$448.00
13	524650	880F4-FL, 853PRO-FL Replacement Motor Kit 12 gpm (45 lpm)	\$448.00
15	532512	880F4-FL Mainframe Replacement Kit	\$311.00
16	524622	880F4-FL, 853PRO-FL External Motor Shaft Seal Kit	\$80.00
17	525169	880F4-FL, 853PRO-FL Shaft Key	\$19.00
Not Shown	524624	880F4-FL, 853PRO-FL Motor Shaft Seal Kit, includes internal & external shaft seals	\$163.00
		*Note: Replacement parts for Rear Handle and Trigger are listed on page 1	

880F4 Series Replacement Parts & Accessories Price List

**ICS, Blount Inc.
4909 SE International Way
Portland, OR 97222
Tel 800.321.1240 Fax 503.653.4393
icsbestway.com**