

HYDRAULIC DRILL MOTORS



Hydraulic motor with pillow block.



Mounted Hydraulic Motors

Danfoss, Char-Lynn and White Motors

Mounted into a pillow block with spindle. The core bit is then attached to the spindle for drilling. Motors include hydraulic hose connections.

RECOMMENDED BIT RPMs	
Bit Diameter	Recommended RPM
1"	3200
2"	1600
3"	1050
4"	800
6"	530
8"	400
10"	320
12"	265
14"	225
18"	175
20"	160
24"	130
36"	85
42"	75

See complete RPM chart on page 92

HYDRAULIC MOTOR RPM CHART-MAXIMUM RPM WITH CUBIC INCH DISPLACEMENT & GPM COMBINATIONS

	Danfoss Motor				Char-Lynn Motor								White Motor	
	.77	1.16	1.55	1.94	4.9	6.2	8.0	9.6	11.9	14.9	18.7	24.0	32.0	45.6
Part # with valve/hoses	4250012	4250013	4250014	4250015	4250008	4250007	4250006	4250005	4250004	4250002	4250000	4250003	4250010	4250011
Cat # with valve/hoses	01836	01837	01838	01839	01833	47655	01832	01831	01830	01828	01826	01829	01834	01835
List Price	\$1,230	\$1,230	\$1,230	\$1,230	\$1,760	\$1,760	\$1,760	\$1,760	\$1,760	\$1,760	\$1,760	\$1,760	\$2,085	\$2,085
Part # without valve/hoses	2600061	2600062	2600063	2600064	2600035	2600036	2600037	2600038	2600039	2600040	2600041	2600071	2600030	2600072
Cat # without valve/hoses	79166	00459	00460	60281	72115	54629	66922	93802	57887	00451	96417	59570	42499	65754
List Price	\$871	\$887	\$913	\$1,059	\$901	\$886	\$997	\$923	\$909	\$929	\$953	\$988	\$1,309	\$1,375
8 GPM	2640	1680	1232	973	377	298	231	193	155	124	99	77	58	41
12 GPM	N/A	2520	1848	1459	566	447	347	289	233	186	148	116	87	61
20 GPM	N/A	N/A	N/A	2553	990	782	606	505	408	326	259	202	152	106
25 GPM	N/A	N/A	N/A	N/A	1226	969	751	626	505	403	321	250	188	132

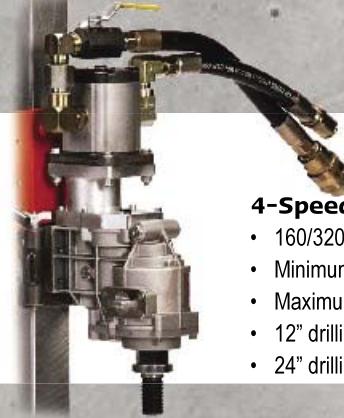
To choose the right hydraulic motor for your application, follow this formula:
Closest G.P.M. of your power unit + closest RPM of core bit on the Bit RPM chart above and match these values on the chart above to get the Cubic Inch of the motor you need.



CORE BORE

4 HP Hand Held Hydraulic Motor

- 3-speed with slip clutch
- 300/800/1600 RPM
- 1.250"-7 spindle (6" capacity)
- 13 GPM maximum flow



CORE BORE

4-Speed Mounted Hydraulic Motor

- 160/320/480/960 RPM at 12 GPM
- Minimum RPM -110 at 8 GPM
- Maximum RPM-1600 at 20 GPM
- 12" drilling capacity without extension
- 24" drilling capacity with extension

4 HP Hand Held Hydraulic Motor

Part #	Cat #	List Price
4244057	47075	\$5,952

4-Speed Mounted Hydraulic Motor

Part #	Cat #	List Price
4250021	84446	\$4,635

HYDRAULIC & PNEUMATIC COMPONENTS



Pillow Block Assembly
1-.875"-7 spindle



Pillow Block Assembly
1.250"-7 spindle



M-4 Pillow Block Assembly
For use with M-4 core rigs and Danfoss motor
1.250"-7 spindle



Mounted Flow Control Valve for Char-Lynn Motors Only
Variable speed control that adjusts drilling speeds from zero to the maximum RPM your motor allows. Connects directly into motor. For use with hydraulic mounted motors.
Part # 4699956 (0-25 GPM)



Flow Control Valve
Variable speed control that adjusts drilling speeds from zero to the maximum RPM your motor allows.
Part # 4250019 (0-20 GPM)



Inline Flow Control Valve
Part # 4699967 (0-25 GPM)

HYDRAULIC & PNEUMATIC COMPONENTS

Description	Part #	Cat #	Product Weight (lbs)	List Price
Pillow Block Assembly-1.250"-7 spindle for Char-Lynn motors	4277539	01853	29	\$1,192
Pillow Block Assembly-1.875"-7 spindle for Char-Lynn motors	4277540	01855	30	1,482
Pillow Block Assembly-1.250"-7 spindle for White motors	4277547	20243	29	1,192
Pillow Block Assembly-1.875"-7" spindle for White motors	4277546	99280	30	1,482
Pillow Block Assembly-1.250"-7 spindle for M-4 with Danfoss Hydraulic motors	4600039	47441	6	805
In-line On/Off Valve (3/2 way) for power units w/gear motor (CB15 and CB24)	4640090	85296	23	954
Flow Control Valve (Hydraulic motors only) 0-20 GPM	4250019	01840	23	805
Flow Control Valve (in-line) 0-25 GPM	4699967	47662	23	856
Flow Control Valve hose with 1/2" fittings for Char-Lynn Hydraulic flow control valve (4699956)	4699990	49038	12	252
Flow Control Valve, motor (mounted) for Char-Lynn Hydraulic motors only* 0-25 GPM	4699956	47556	9	541
Flow control valve hose kit with 3/4" fittings	4699989	48980	12	394

* Must order hose kit separately



Ingersoll-Rand Air Motors

- Shown with pillow block
- Variable speeds depending on air source



Hand Held Air Motors

- 3-speed with slip clutch
- Includes 5/8"-11 and 1.250"-7 spindle
- Up to 4" bit capacity

AIR-PNEUMATIC MOTORS

DESCRIPTION	RPM	Safety Override	Max CFM	Part #	Cat #	Product Weight (lbs)	List Price
2.1 HP hand held, 3 speed @ 90 psi	300/500/1500	Slip Clutch	77	4244054	51479	35	\$4,667
3.8 HP hand held, 3 speed @ 90 psi	190/420/805	Slip Clutch	122	4244053	47377	32	5,168
3.5 HP Ingersoll-Rand	variable	N/A	95	4244051	01765	31	8,117
8 HP Ingersoll-Rand	variable	N/A	230	4244052	70339	31	13,558