

CORE BIT ADAPTERS



CORE BIT ADAPTERS

Description	Top Thread	Bottom Thread Male	Part #	Cat #	Weight (lbs.)	List Price
1015	1.250"-7 Female	5/8"-11	4400008	01878	2 lbs.	\$48.80
1015-B	1.250"-7 Female	5/8"-11 Bolt *	4400162	47697	2	58.35
1510	5/8"-11 Female	1.250"-7	4400009	01880	2	29.71
1016	1.250"-7 Female	5/8"-18	4400010	01881	2	126
1020	1/2"-20 Female	5/8"-11	4400011	01882	2	136
DK13-DVH	1.250"-7 Female	1.250"-12	4400320	75698	2	54.74
Bantum-15	Bantum Female	5/8"-11	4400012	01883	2	35.02
Bantum-15	Bantum Female	1.250"-7	4400051	01911	2	39.14
Morse #2	#2 Morse Taper Male	5/8"-11	4400068	01920	2	48.80
Morse #3	#3 Morse Taper Male	5/8"-11	4400061	01917	2	56.23
Morse #4	#4 Morse Taper Male	5/8"-11	4400062	01918	2	72.14
Morse #5	#5 Morse Taper Male	5/8"-11	4400063	79291	2	90.18
3/8" S.S.	3/8" Straight Shank Male	5/8"-11	4400056	01913	1	12.36
1/2" S.S.	1/2" Straight Shank Male	5/8"-11	4400033	01899	2	23
5/8" S.S.	5/8" Straight Shank Male	5/8"-11	4400087	01936	1	12.36
1/2" British standard piping [∞]	1/2" BSP Male	5/8"-11	4400037	01905	2	27.58
1/2" British standard piping [∞]	1/2" BSP Male	1.250"-7	4400036	01903	2	48.80
Large thread reducer	1.875"-7 Female	1.250"-7	4400121	01949	5	157
Large thread adapter	1.250"-7 Female	1.875"-7	4400134	01956	5	123

* Male bottom thread is a replaceable grade 8, 5/8"-11 bolt with water way
[∞] For use on Weka motors

5/8"-11 bolt with water way

Part #	Cat #	List Price
4400163	53577	\$15.91

Standard core bits have the following threaded hub Sizes:
 1-1/2" and under (bit diameter) = 5/8"-11 thread
 (5/8" diameter, 11 threads per inch)
 1-5/8" and up (bit diameter) = 1-250"-7 thread
 (1-1/4" diameter, 7 threads per inch)

CORE BIT ADAPTERS COMPETITION STYLE



Part # 4400332



Part # 4400333



Part # 4400336



Part # 4699992



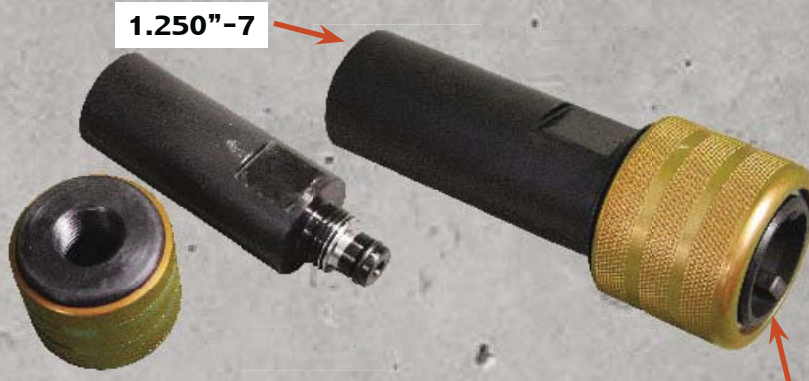
Part # 4699974



Part # 4699973

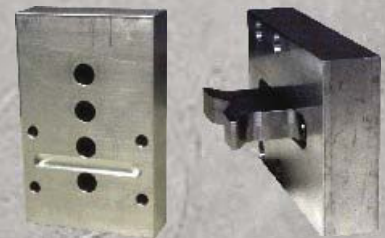
CORE BIT ADAPTERS						
Compatible Motor*	Top Thread	Bottom Thread Male	Part #	Cat #	Weight (lbs)	List Price
DD100, DD200, DD130 with BI+ connection	Hilti® Quick Disconnect 6-Slot	1.250"-7	4400332	90755	2	\$71.07
DD100, DD200, DD130 with BI+ connection	Hilti® Quick Disconnect 6-Slot	5/8"-11	4400333	90754	2	40.31
DD200	Spline	1.250"-7	4699992	49654	2	437
DD250, DD160, DCM1.5 with BU connection	5/8"-11 Male	Hilti Spline	4699974	66435	2	324
DD250, DD160, DCM1.5 with BU connection	1.250"-7 Male	Hilti Spline	4699973	64011	2	278
Hilti® Core Bit	1.250"-7 Female	Hilti Quick Disconnect	4400584	40661	3	401

These adapters for use on Hilti® machines to connect to standard 1-1/4-7 or 5/8-11 threaded bit hubs. Hilti® is a registered trademark of the Hilti® Corporation and is not affiliated with Diamond Products Limited.



Part # 4400584, Cat # 40661
Quick Disconnect for use on 4400332 & 4400333 Adapters

Quick Disconnect Hilti® Bit



Hilti® QD to Weka® Motor Mount

Part #	Cat #	List Price
4648065	88660	\$106

Hilti® is a copyright of Hilti Corporation and is in no way affiliated with Diamond Products Limited

CORE BIT EXTENSIONS

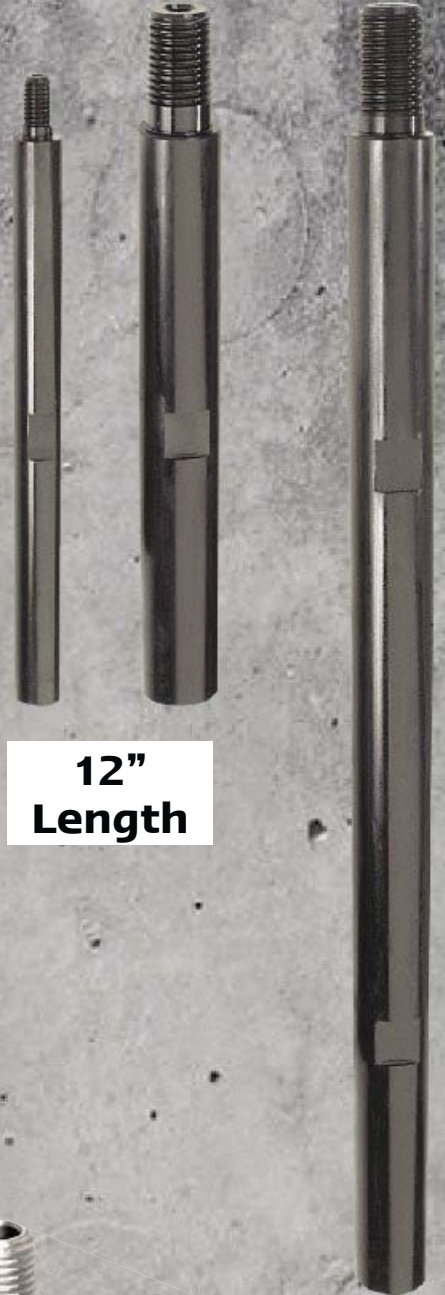
Have a special application? We make custom extension rods to handle your needs quickly!



4" Length



6" Length



12" Length

24" Length

CORE BIT EXTENSION RODS

Length	Description	Fits Bit Size	Thread	Part #	Cat #	Weight (lbs.)	List Price
4"	125-4	1-5/8" & up	1.250"-7	4400001	01863	5 lbs.	\$58.35
4"	125-4-S water sprayer	1-5/8" & up	1.250"-7	4400002	01864	5	82.75
6"	120-6	up to 1-1/2"	5/8"-11	4400003 *	01866	5	51.98
6"	120-6	up to 1-1/2"	7/8" O.D.	4400166	55999	6	58.62
6"	125-6	1-5/8" & up	1.250"-7	4400004	01869	7	71.08
12"	120-12	up to 1-1/2"	5/8"-11	4400005 *	01870	8	71.72
12"	120-12	up to 1-1/2"	7/8" O.D.	4400167	55696	9	107
12"	125-12	1-5/8" & up	1.250"-7	4400006	01873	10	77.23
24"	125-24	1-5/8" & up	1.250"-7	4400042	01909	15	134
36"	125-36	1-5/8" & up	1.250"-7	4400007	01877	20	206
48"	125-48	1-5/8" & up	1.250"-7	4400024	01897	25	231
6"	187-6	Optional large bits	1.875"-7	4400141	01962	7	94.88
12"	187-12	Optional large bits	1.875"-7	4400113	01945	15	143

*Extensions also fit dry hole saw and thinwall core bits

NWJ LARGE THREAD ADAPTER & EXTENSIONS

Description	Part #	Cat #	List Price
5' drill extension with NWJ threads	4400322	77369	\$661
NWJ Male-1.250"-7 Female adapter	4400323	77368	515
Male 1.250"-7- NWJ Female adapter	4400324	77703	515
NWJ Male- 1.875"-7 Female adapter	4400325	78493	515
Male 1.875"-7-NWJ Female adapter	4400326	78494	515

NWJ threads have a large thread pitch that make it easy to unscrew the core bit and/or other extensions



EXPANSION ADAPTERS & INFO

Expansion Adapters

- Expansion adapters are used on open-end core bits instead of welded hubs
- Made up of two threaded plates with expansion ring
- The three pieces are placed in the core barrel and tightened on the drill rig spindle
- The expansion ring expands, and tightens against the core barrel-keeping the bit secure



Expansion Adapters-For Use with Open-Ended Bits

Size	Part #	Cat #	List Price
1"	4010476	01638	\$74
1-1/8"	4010477	01639	78
1-1/4"	4010478	54239	79
1-3/8"	4010479	01640	83
1-1/2"	4010480	01641	92
1-5/8"	4010481	01642	93
1-3/4"	4010482	01643	104
1-7/8"	4010483	71254	105
2"	4010484	01644	106
2-1/4"	4010485	01645	109
2-1/2"	4010486	01646	119
2-3/4"	4010487	01647	133
3"	4010488	01648	145
3-1/4"	4010489	01649	156
3-1/2"	4010490	01651	170
4"	4010491	01652	192
4-1/4"	4010492	01654	211
4-1/2"	4010493	01655	223
5"	4010494	01656	242
5-1/2"	4010495	01658	265
6"	4010496	01659	288
6-1/4"	4010497	01660	336
6-1/2"	4010498	01661	367
7"	4010499	01662	398
8"	4010500	01663	436
9"	4010501	01664	444
10"	4010502	01665	564

Add to List Price for Extra Core Length

Size	Per Extra Inch of Core Length
1/2"	\$1
5/8"	1
3/4"	1
7/8"	1
1"	2
1-1/8"	2
1-1/4"	2
1-3/8"	2
1-1/2"	2
1-5/8"	2
1-3/4"	2
1-7/8"	2
2"	4
2-1/4"	4
2-3/8"	4
2-1/2"	4
2-3/4"	4
3"	5
3-1/4"	5
3-1/2"	5
4"	6
4-1/4"	6
4-1/2"	6
5"	8
5-1/2"	8
6"	9
6-1/4"	9
6-1/2"	9
7"	10
8"	12
9"	13
10"	15
12"	20
14"	23
16"	27
18"	30
20"	34
24"	38