



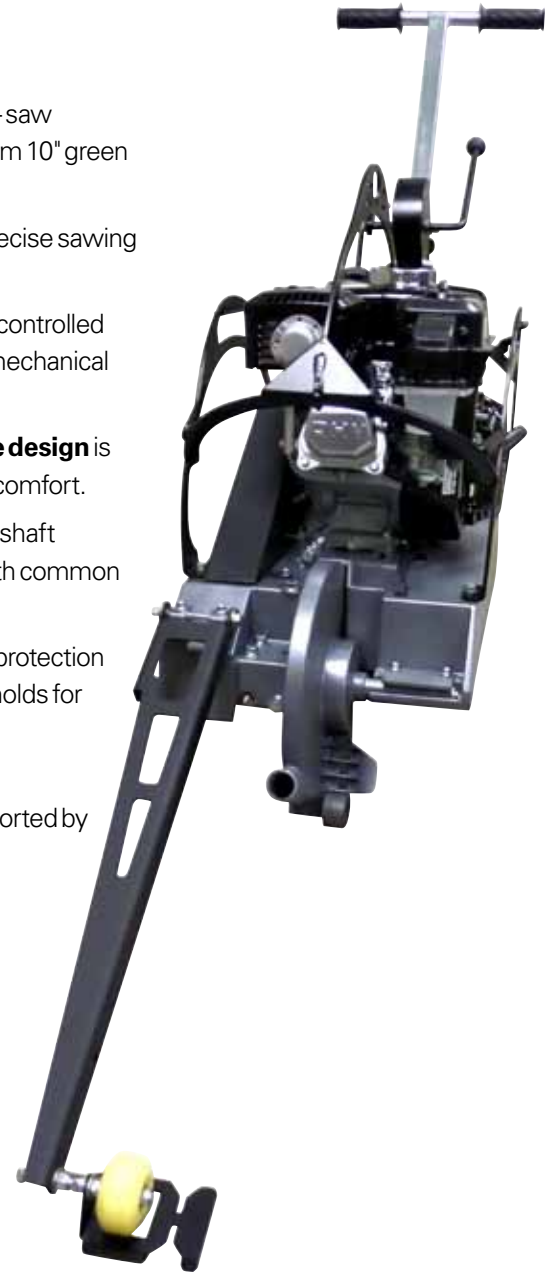
SP1G SLABSAVER™

**The Compact
Green Saw**



SP1G SlabSaver™

- **Versatile design** is ideal for sawing control joints in green concrete, decorative lines in cured concrete.
- **Unique pointer design** for precise tracking.
- **Blade guard capture system** directs cutting by-products through discharge port.
- **Special Blade Shaft Assembly** for blade control and consistent blade alignment.
- **Compact, lightweight design** for easy one-person transportation and operation.
- **Power on demand**— Honda GX200 engine with up-cut orientation for smooth sawing.
- **Controlled dust evacuation**— unique guarding system permits the capture of the dust signature.
- **Trusted blade operations**— saw comes standard with a premium 10" green concrete blade.
- **Center cut orientation** for precise sawing lines.
- **Precise blade orientation** is controlled by a single throw-handle and mechanical depth stop.
- **Smart anti-vibration handle design** is height adjustable for operator comfort.
- **Flexible operations**— blade shaft accepts all diamond blades with common 5/8" arbor.
- **Special lifting bale** provides protection for the engine and easy hand-holds for lifting.
- **Smooth tracking**— tough polyurethane wheels are supported by double sealed bearings.



Specifications

| Model | Power | Arbor Size | Sawing Orientation | Blade Capacity | Cutting Depth | Front Wheels (dia.) | Rear Wheels (dia.) | Weight (lb.) |
|-------|--|------------|--------------------|----------------|---------------|---------------------|--------------------|--------------|
| SP1G | Honda GX200 Gasoline w/ Cyclone Air Filtration | 5/8" | Upcut | 10" | 3.25" | 5"x1.5" | 5"x1.5" | 105 |

* Engine power ratings are calculated by the individual engine manufacturer and the rating method may vary among engine manufacturers. Multiquip Inc. and its subsidiary companies makes no claim, representation or warranty as to the power rating of the engine on this equipment and disclaims any responsibility or liability of any kind whatsoever with respect to the accuracy of the engine power rating. Users are advised to consult the engine manufacturer's owners manual and its website for specific information regarding the engine power rating.

Your Multiquip dealer is:

Connect with us on



All features and specifications are subject to change without notice.
Version (0115)



WWW.MULTIQUIP.COM
800.421.1244